



6.3 cu. ft. Dual Fuel Slide-in Range

- Built-in Air Sous Vide
- Built-in Air Fry
- InstaView® Window
- ProBake® Convection
- EasyClean® + Self Clean
- UltraHeat™ Plus 22k BTU Power Burner
- Slide-in Design
- 6.3 cu. ft. Large Capacity
- Storage Drawer
- LG ThinQ® Technology (Wi-Fi)



COLOR AVAILABILITY

- LSDL6336F – PrintProof™ Stainless Steel

CAPACITY

| | |
|-----------------|-------------|
| Oven Capacity | 6.3 cu. ft. |
| Drawer Capacity | 0.8 cu. ft. |

OVEN FEATURES

| | |
|------------------------------|--|
| Convection System | ProBake® Convection |
| Oven Cooking Modes | Bake, Convection Bake, Convection Roast, Broil High, Broil Low, Warm, Proof, Self Clean, EasyClean®, Frozen Meal, Air Sous-Vide, Air Fry, Delayed Timed Cook, Timed Cook |
| Air Sous Vide | Yes |
| Built-in Air Fry | Yes (Air Fry Tray Included) |
| Temperature Probe | Yes |
| Oven Racks | 2 Heavy Duty |
| Number of Rack Positions | 7 |
| Broil Element (BTU, NG / LP) | 4,200 W |
| Convection (BTU, NG / LP) | 2,500 W |
| Convection Conversion | Yes |
| EasyClean® | Yes |
| Self Clean | Yes |
| GoCook Smart Oven Light | Yes (1) |
| Door Lock | Yes |
| Automatic Safety Shut-Off | After 12 Hours |

DRAWER FEATURES

| | |
|------|---------|
| Type | Storage |
|------|---------|

COOKTOP FEATURES

| | |
|-------------------------------|------------------------------|
| Cooktop Type | Sealed |
| Number of Burners | 5 |
| Burner BTU (NG / LP) | |
| Left Front | 18,000 / 12,000 |
| Left Rear | 9,100 / 7,500 |
| Center | 10,000 / 10,000 (Oval) |
| Right Front | 22,000 / 16,000 (UltraHeat™) |
| Right Rear | 5,000 / 4,000 |
| Cooktop Burner Grate Material | Cast Iron |
| Continuous Grates | Yes |

CONTROLS

| | |
|----------------------------------|-------------------------------------|
| Cooktop Control Type | Front Tilt-Control Knobs, Weighted |
| Oven Control Type | SmoothTouch™ Glass, LED Illuminated |
| Display | LED (White) |
| Language | English |
| Kitchen Timer | Yes |
| Timed Cook | Yes |
| Clock | 12 hr or 24 hr (option) |
| Temperature Unit of Measure | °F or °C |
| Cooking Complete Reminder Volume | High, Low, Off |
| Oven Control Lock | Yes |

CONVENIENCE

| | |
|---------------|------------------------|
| ADA Compliant | Yes |
| Sabbath Mode | Yes (Star-K-Certified) |

SMART FEATURES

| | |
|-------------------------|--------------------------------|
| Wi-Fi Enabled | Yes |
| ThinQ® Technology | Yes |
| ThinQ Care | Yes |
| Voice Control | Amazon Alexa, Google Assistant |
| SmartDiagnosis™ | Yes |
| 3rd Party Recipe App | Yes (SideChef) |
| Scan to Cook (LG ThinQ) | Yes |

FINISHES AND APPEARANCE

| | |
|---|-------------------------------|
| Fingerprint & Smudge Resistant Exterior | Yes |
| Cooktop Finish | Stainless Steel |
| Handle / Knobs | Stainless Steel Appearance |
| Oven Door Feature | InstaView® Window (WideView™) |

TECHNICAL SPECS

| | |
|------------------------|--|
| Fuel Type | Electric / NG / LP |
| Required Power Supply | 120/208-240 V, 60 Hz, 3-Wire or 4-Wire |
| Minimum Circuit Rating | 40 Amp |
| KW Rating at 208V | 3.2 kW |
| KW Rating at 240V | 4.2 kW |
| Power Cord Type | Not Included |
| Electrical Receptacle | 4-Wire (14-50R); 3-Wire (10-50R) |
| Power Outlet Location | See Installation Diagram |
| Gas Supply Location | See Installation Diagram |

INCLUDED ACCESSORIES

2 Heavy Duty Racks, 1 Air Fry Tray, Griddle, Temperature Probe, Rear Filler Kit, LP Conversion Kit, Anti-tip Kit

OPTIONAL ACCESSORIES

| | |
|---------------------------------------|----------|
| Slide-in Range Filler Kit (Side Gaps) | LSFL301S |
| Air Fry Rack | |

DIMENSIONS / CLEARANCES / WEIGHTS

| | |
|---|----------------------------------|
| Product Dimensions (W x H x D w/Handle) | 29 7/8" x 37 1/8" x 29 1/4" |
| Product Height to Cooking Surface | 36" |
| Cutout Dimensions (W x H x D) | 30" x 36" x 25" |
| Carton Dimensions (W x H x D) | 31 15/16" x 42 1/16" x 29 15/16" |
| Approx. Weight (Product / Carton) | 177 lbs. / 217 lbs. |

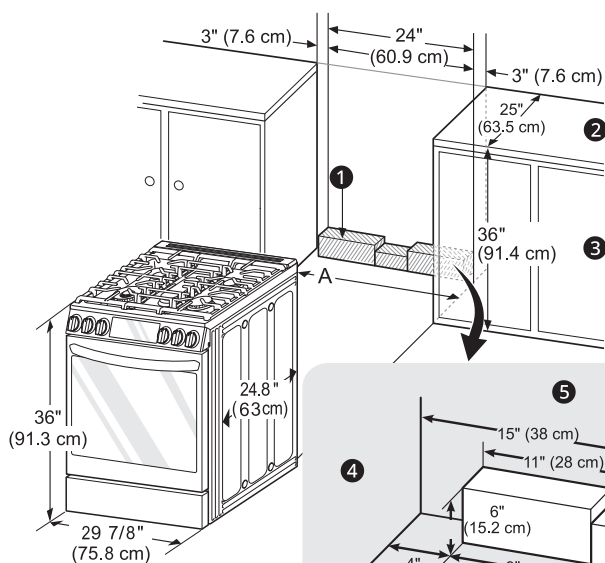
LIMITED WARRANTY

| | |
|-----------------|--------|
| Parts and Labor | 1 Year |
|-----------------|--------|

DIMENSIONS / CLEARANCES

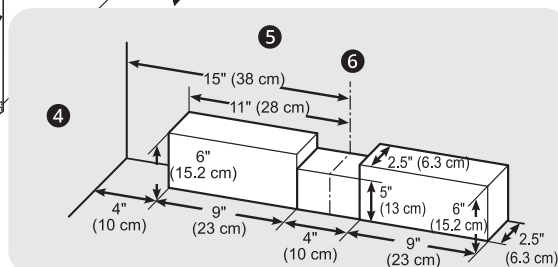
Provide proper clearance between the range and adjacent combustible surfaces. These dimensions must be met for safe use of your range. The location of the electrical outlet and pipe opening may be adjusted to meet specific requirements. The range may be placed with 0" clearance (flush) at the back wall.

GAS PIPE AND ELECTRICAL OUTLET LOCATIONS

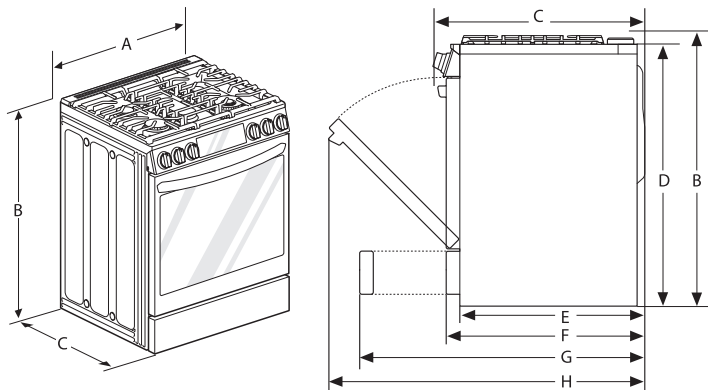
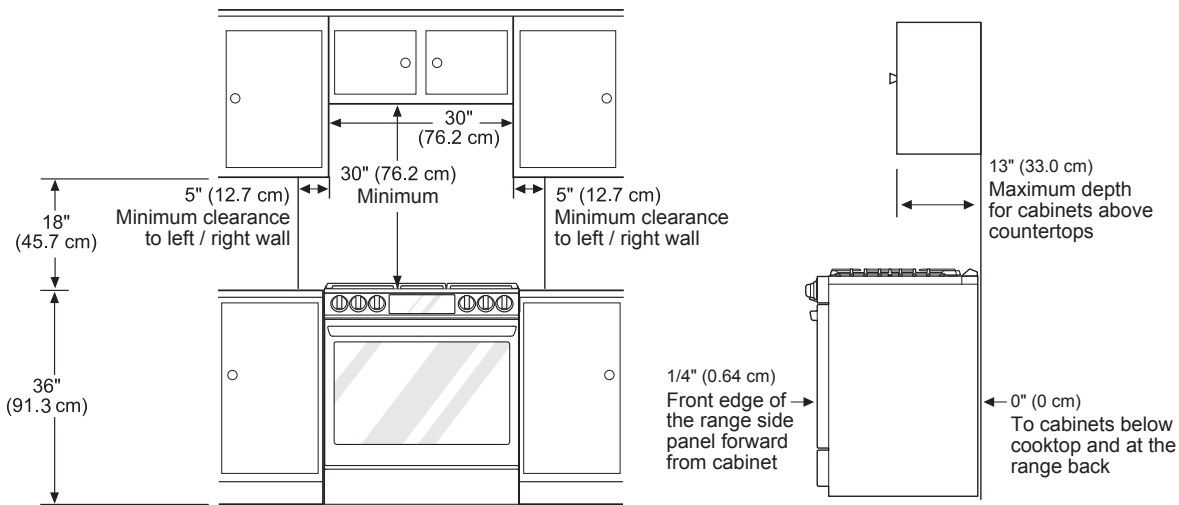


DIMENSIONS / CLEARANCES

| | |
|---|-----------------------------------|
| A | Cabinet opening = 30" (76.2 cm) |
| 1 | Acceptable electrical outlet area |
| 2 | Normal counter top depth |
| 3 | Counter top height |
| 4 | Cabinet |
| 5 | Wall |
| 6 | Center |



DIMENSIONS / CLEARANCES



DIMENSIONS / CLEARANCES

| | | |
|---|--|---------------------|
| A | Width | 29 7/8" (759 mm) |
| B | Height | 37 1/8" (943mm) |
| C | Depth (Includes Door Handle) | 29 9/32" (743.9 mm) |
| D | Height (Excludes Vent Trim) | 36" (913.0 mm) |
| E | Depth (Includes only the product body that is loaded into the cabinet. Excludes door, drawer, and handles) | 24 3/4" (629.4 mm) |
| F | Depth (Excludes Door Handle) | 26 7/8" (683 mm) |
| G | Depth when drawer is fully opened | 36 1/16" (916.2 mm) |
| H | Depth when door is fully opened | 48 5/8" (1235.9 mm) |